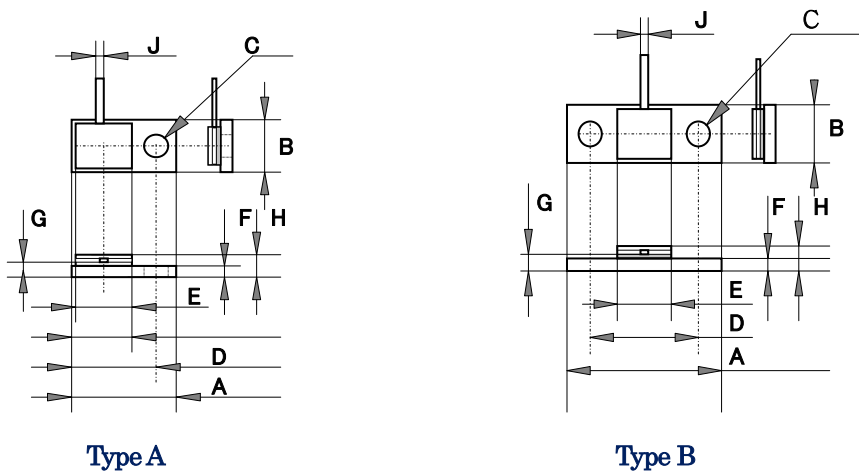


Product Specification	Part
RF Power Flange Terminations	CQT Flange Series

- CQT Flange Terminations
This type is designed to RF Termination
- Dimensional specifications are detailed per the following draft of Type A & Type B

RF Power : 50W to 250W
Resistance : 50 ohm
Frequency : DC to 12GHz



2-1. Part Designations (Unit : mm)

Part	Type	A	B	C	D	E	F	G	H	J
CQT50F	A	13.00	6.30	2.90	9.90	6.10	1.50	2.50	3.40	0.80
CQT100F	B	20.30	5.70	3.20	14.60	8.90	1.50	2.50	3.40	1.00
CQT150F	B	20.30	5.70	3.20	14.60	8.90	1.50	2.50	3.40	1.00
CQT150F	B	22.30	6.30	3.20	14.20	8.50	1.50	2.50	3.20	1.00
CQT250F	B	25.00	9.50	3.20	18.40	9.60	3.00	4.10	4.50	3.00

2-2. Ordering Information

Part No.	RF Power	Frequency	TCR	Resistance	Tolerance	Package
CQT50F-500NI	50W	DC to 3GHz	C(50ppm/C)	50 ohm	+/-1%. +/-3%	50
CQT100F-500NI	100W	DC to 3GHz	C(50ppm/C)	50 ohm	+/-1%. +/-3%	50
CQT100F-500BE	100W	DC to 6GHz	C(50ppm/C)	50 ohm	+/-1%. +/-3%	50
CQT100FR-500AG	100W	DC to 12GHz	C(50ppm/C)	50 ohm	+/-1%. +/-3%	50
CQT150F-500NI	150W	DC to 2.5GHz	C(50ppm/C)	50 ohm	+/-1%. +/-3%	50
CQT250F-500NI	250W	DC to 2.5GHz	C(50ppm/C)	50 ohm	+/-1%. +/-3%	50

3. Rating.

3-1. Rating Power with Heat Sink (Fig.1)

Resistors have power rating based on full load operation at terminals temperature from - 55C to + 155C. Operating power shall be derated as figure 2 in operating at excess of + 155C of terminal temperature.

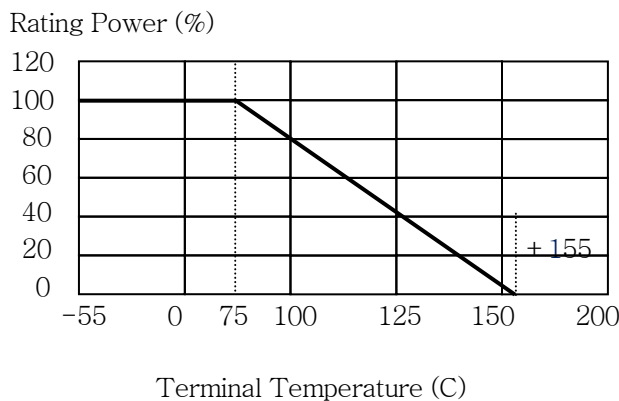


Fig.1

3-2. General Electrical Specifications

Items	Specification	Condition
Part	CQT Flange Series	
Rating RF Power	50W to 250W	3-1
Resistance Values	50 ohm	Standard
Frequency	DC to 12GHz	
VSWR(Max)	1.20 : 1	
Temp. Coefficient of Resistance.	+/-200ppm/C	-55C to + 155C
Tolerance of Resistance	+/- 1% 3%	Standard
Equivalent Parallel Capacitance	1.5 pF Max.	
Equivalent Parallel Inductance	3.5nH	

Note: Other resistance values and tolerances available upon request.

4. Electrical and mechanical Specifications

Items	Specifications	Test Conditions
Operation Temp. Range	-55- + 155 C	
Storage Temp. Range	-55 - + 155 C	
Withstanding Voltage	1,500 Volt	60 seconds.
Load Life	+/- (1.0 %+ 0.05 ohm)	25C, 90min.ON, 30min.OFF, 1000hours.
Humidity	+/- (1.0 %+ 0.05 ohm)	40C, 90-95%RH, DC 0.1W, 1000hours.
Temperature Cycle	+/- (0.25 %+ 0.05 ohm)	-55C, 30 min., + 155C 30min., 5cycles.
Soldering Heat	+/- (0.25 %+ 0.05 ohm)	350+/-5C, 3seconds,
Solderability	Over 3/4 of surface	230+/-5C, 3seconds.
Insulation Resistance	Over 1000 M ohm	Between terminals and resistor body.
Vibration	+/- (0.25 %+ 0.05 ohm)	

5. Quality Assurance

Cqtel shall be assure to the CiTEL customers of the resistors quality. Receiving fault report from the customer, analyzing the cause of fault and reporting of QA to the customer shall be obligation of Cqtel, because brand of the resistor and CQT Flange series is right of CiTEL.

6. Country of Origin

The resistors are produced at main factory of CiTEL Co., Ltd.